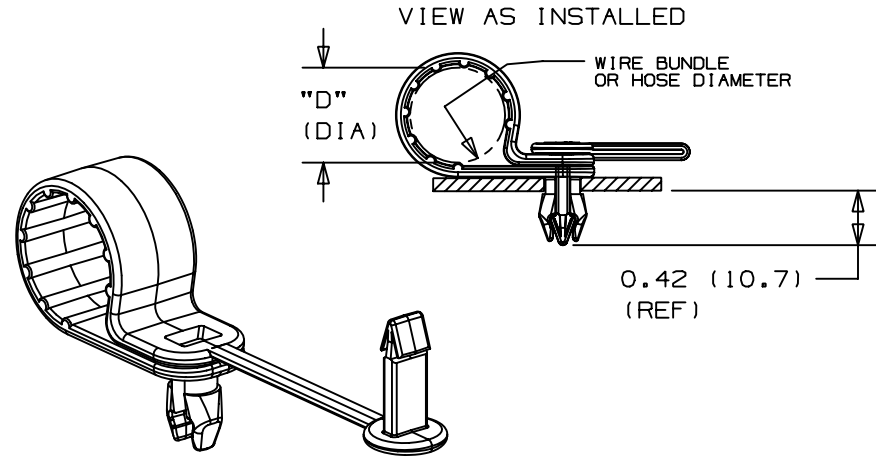
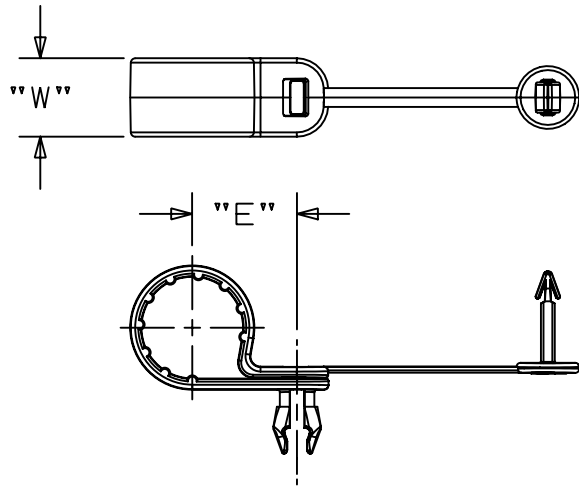


THIS COPY IS PROVIDED ON A RESTRICTED BASIS AND IS NOT TO BE USED IN ANY WAY DETRIMENTAL TO THE INTERESTS OF PANDUIT CORP.



SCALE: FULL

Notes:

1. See current price sheet for part number suffix designation for package size and color.
2. MOUNTING HOLE DIAMETER: 1/4" CLEARANCE - .281" [7mm]
PANEL THICKNESS: .125" [3.2mm] NOMINAL
3. Specified diameter is cable or hose that is being installed.

PANDUIT PART NO. (SEE NOTE 1)	DIMENSIONS			WEIGHT lbs / [g] 100/ pcs
	"D" DIAMETER SEE NOTE 3	"E" (REF.)	"W"	
PC038-H25D- _	.38 [9.5]	.64 [16.3]	.62 [15.7]	.74 / [340]
PC050-H25D- _	.50 [12.7]	.71 [17.9]		.83 / [380]
PC062-H25D- _	.62 [15.8]	.77 [19.5]		.92 / [420]
PC075-H25D- _	.75 [19.1]	.83 [21.1]		1.02 / [465]
PC087-H25D- _	.87 [22.1]	.89 [22.7]		1.11 / [505]
PC100-H25D- _	1.00 [25.4]	.96 [24.3]		1.21 / [550]
PC112-H25D- _	1.12 [28.5]	1.02 [25.8]		1.29 / [585]
PC125-H25D- _	1.25 [31.8]	1.08 [27.4]		1.37 / [620]

DIMENSIONS IN BRACKETS ARE METRIC [mm]

CAD FILENAME/LAYERS

G02320CA_PB_PCLAMP_05

PANDUIT

CORP. TINLEY PARK, ILLINOIS

PAN-CLAMP
(PC___-H25D-_)

UNLESS OTHERWISE SPECIFIED,
DIMENSIONAL TOLERANCES ARE:
(.X) ±0.05 [1.3] (.XXX) ±0.010 [0.25]
(.XX) ±0.02 [0.5] ANGLES ± 5°

UNLESS OTHERWISE SPECIFIED,
ALL DIMENSIONS ARE GIVEN
IN INCHES, THIRD ANGLE PROJECTION.

5	5/9/01	KLN		UPDATED PART WEIGHTS, E, AND W DIMENSIONS	GB2320CA	5				DRAWN BY	JAD	MAT'L:	SCALE	3/4
4	3/22/01	KLN		UPDATED PRODUCT PART NUMBERS	GB2320CA	4				DATE	4-26-00	WEATHER RESISTANT IMPACT MODIFIED NYLON 6/6	DRAWING NO.	GB2320CA
REV	DATE	BY	CHK	DESCRIPTION	ECN	R	CUST	SUP		CHK'D			DWG SIZE	A